

MCR (Automatic)

Height: 15.5" Width: 8.8" Depth: 16.0"
(39.4cm) (22.4cm) (40.6cm)



- 1-year warranty on parts and 1-year warranty on labor
- Compact size - only 15.5" (39.4cm) tall and requires less than 9" (22.cm) of counter space
- Designed to be compatible with ADA self-service requirements
- Engineered to achieve industry-recognized brewing temperatures and to utilize a unique water jet extraction process, delivering quality results in the cup for a variety of single serve cartridges
- ETL & NSF Commercial Ratings
- Two default dispense sizes - 6oz and 8oz (117.4mL and 236.6mL)
- Dispense sizes from 4 to 16oz (118-473mL); adjustable in .25 increments
- Energy Saver Mode reduces tank temperature during idle periods
- Ideal for office and small business environments
- Removable, dishwasher-safe 90oz (2.7L) water reservoir with large fill opening
- PROP 65 Warning Decal included in packaging with equipment

Agency:



Specifications

Product #: 44600.0001

Water Access: Plumbed

Additional Features

Pourover Option

Electrical & Capacity

Volts*	Amps	Watts	Cord Attached	Plug Type	8oz cups/hr 236ml cups/hr	Input H ² O Temp.	Phase	# Wires plus Ground	Hertz
120	12.25	1470	Yes	NEMA 5-15P	60	60°F (15.5°C)	1	2	60

*When a BUNN is machine rated 120/208-240V, 120/208V or 120/240V, the higher voltage is the supply voltage needed to power the machine. The 120V is there to supply power to some components rated 120V in the machine, but it is not the supply voltage and would not power the machine if the machine is marked with the before mentioned ratings.

Plumbing Requirements

PSI	kPa	Fitting Supplied	Water Flow Required (GPM)
-	-	-	-

CAD Drawings

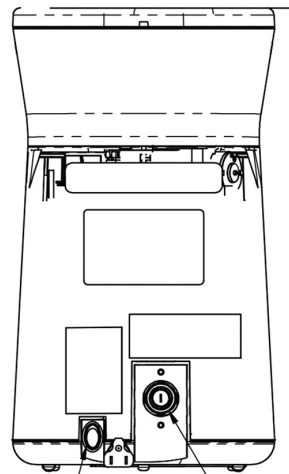
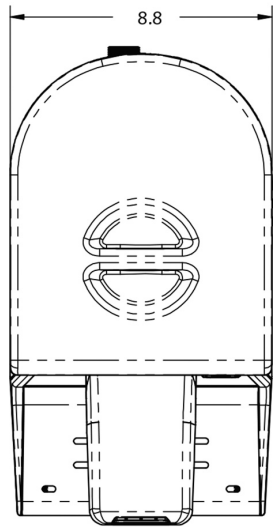
2D	Revit	KLC
●		

WARNING: This product can expose you to chemicals including Bisphenol A (BPA), which is known to the State of California to cause birth defects or other reproductive harm. For more information go to www.P65Warnings.ca.gov

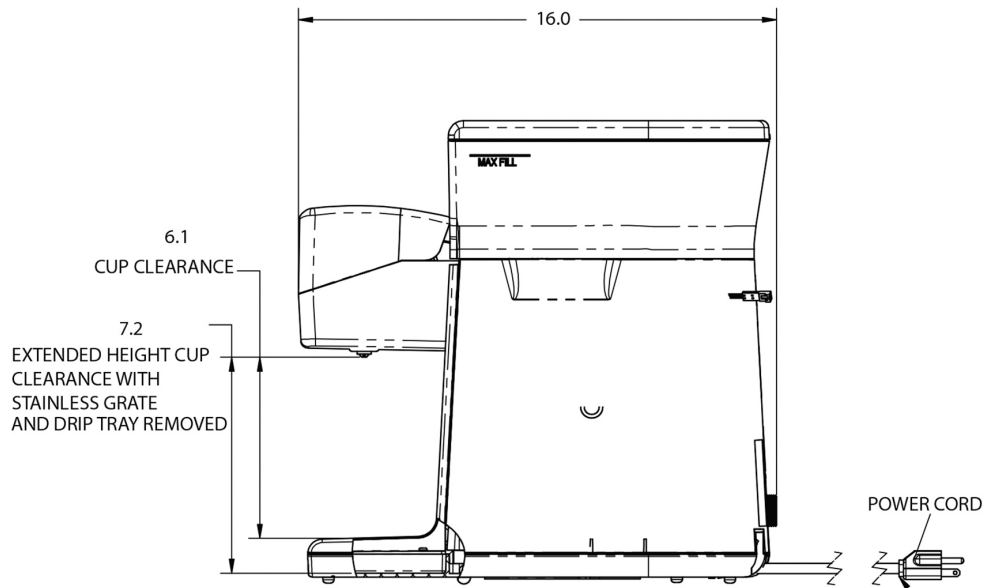
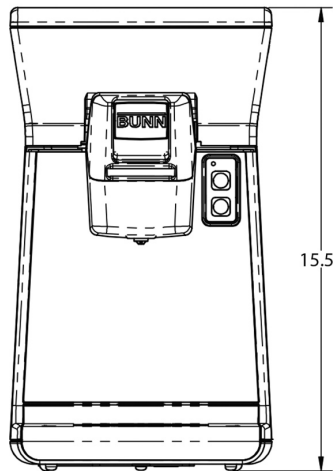


BUNN® reserves the right to change specifications and product design without notice. Such revisions do not entitle the buyer to corresponding changes, improvements, additions or replacements for previously purchased equipment. For most current specifications and other info visit bunn.com.

Last Updated:
02/02/2024



POWER SWITCH — OPTIONAL WATER INLET



Unit			Shipping					
	Height	Width	Depth	Height	Width	Depth	Weight	Volume
English	15.5 in.	8.8 in.	16.0 in.	19.4 in.	11.9 in.	18.8 in.	18.160 lbs	2.498 ft ³
Metric	39.4 cm	22.4 cm	40.6 cm	49.2 cm	30.2 cm	47.6 cm	8.237 kgs	0.071 m ³



BUNN® reserves the right to change specifications and product design without notice. Such revisions do not entitle the buyer to corresponding changes, improvements, additions or replacements for previously purchased equipment. For most current specifications and other info visit bunn.com.

Last Updated:
02/02/2024

Related Products & Accessories:MCR (Automatic)(44600.0001)



WATER FILTER,
EQHP-10L

Product #: 39000.0001



WATER FILTER,
EQHP-10

Product #: 39000.0004



SYSTEM, WQ-55(2)5L

Product #: 56000.0001



SYSTEM, WQ-55(2)5

Product #: 56000.0004



SYSTEM, WEQ-10(1.5)5L

Product #: 56000.0024



SYSTEM, WEQ-10(1.5)5

Product #: 56000.0027



CARTRIDGE, WQ-55(2)5L

Product #: 56000.0101



CARTRIDGE, WQ-55(2)5

Product #: 56000.0104



CARTRIDGE, WEQ-10
(1.5)5L

Product #: 56000.0121



CARTRIDGE, WEQ-10
(1.5)5

Product #: 56000.0122



BUNN® reserves the right to change specifications and product design without notice. Such revisions do not entitle the buyer to corresponding changes, improvements, additions or replacements for previously purchased equipment. For most current specifications and other info visit bunn.com.

Last Updated:
02/02/2024

Serving & Holding Options: MCR (Automatic)(44600.0001)

Serving and Holding selections are currently unavailable. Please contact your sales representative to find out more information.



BUNN® reserves the right to change specifications and product design without notice. Such revisions do not entitle the buyer to corresponding changes, improvements, additions or replacements for previously purchased equipment. For most current specifications and other info visit bunn.com.

Last Updated:
02/02/2024